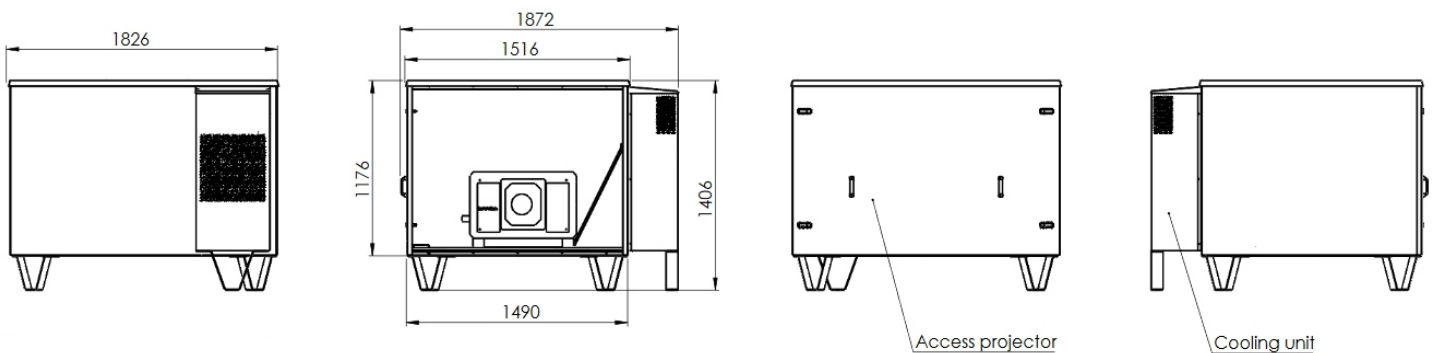
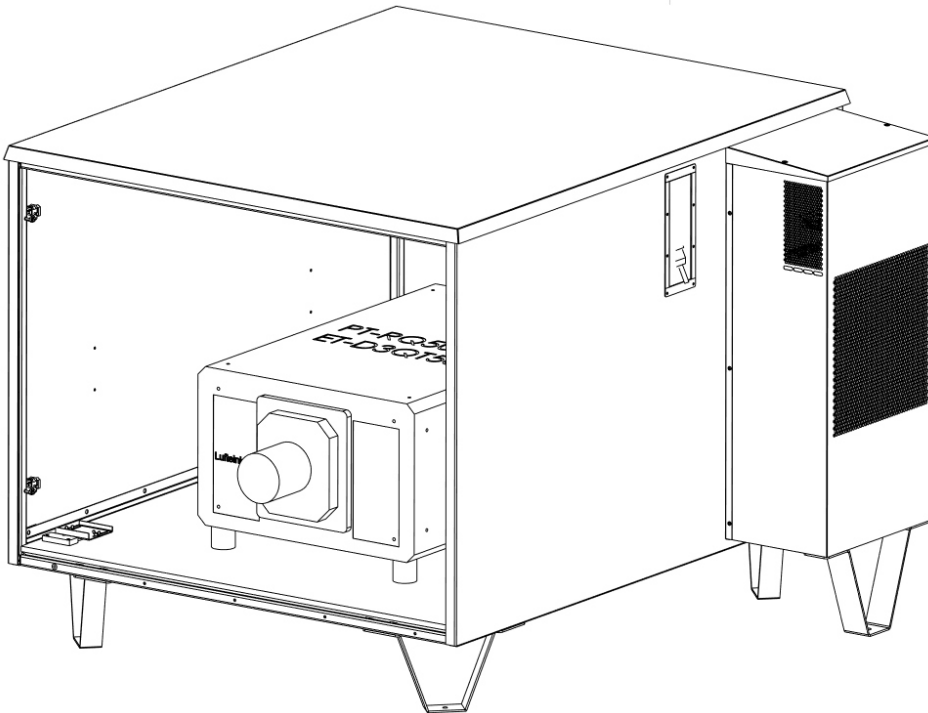


Weatherproof Housing

Model COOL-Protect **XL** Specification



Product	VICOM COOL-Protect
Model	Model XL
Size WHD	1872x1406x1826 mm
Power consumption	5400 W
Weight	210 kg
Outdoor temperature during operation	40°C till -30°C
Optional extended temperature range	55°C till -40°C
Noise level	71 db(A)
Protection class	IP56
Refrigerant	R134

Options

- Wiper with trigger
- Wiper with rain sensor
- Liquid spray dispenser
- 3-phase current connector
- Slider for projector
- Internal power distribution
- Monitoring of temperature and humidity
- Mechanical shutter system to protect lens again the sun